

Sil-Air Compressors

Sil-Air Compressors are virtually soundless and totally automatic. Each unit includes a tank pressure gauge, line pressure gauge, line pressure regulator, moisture trap/filter, safety valve and air intake filter, and a handle for balanced carrying or easy rolling for models with wheels.

SIL-AIR 50-6

½ HP, 1.5 Gal Tank
2.15 CFM Free Air
84-114 PSI Op-Pressure
Shipping Weight: 55lbs
Voltage: 110 V-60



SIL-AIR 50-24-V

½ HP, w/Fan, 6 Gal. Tank
2.15 CFM Free Air
84-114 PSI Op-Pressure
Shipping Weight: 100 lbs
Voltage: 110 V-60



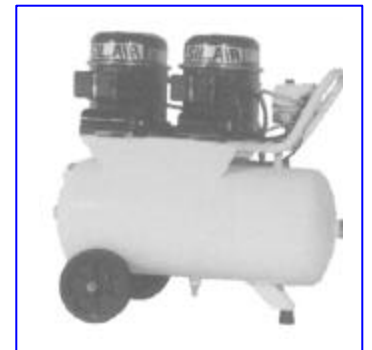
SIL-AIR 50-15

½ HP, 4 Gal Tank
2.15 CFM Free Air
84-114 PSI Op-Pressure
Shipping Weight: 60 lbs
Voltage: 110 V-60



SIL-AIR 100-24

2 x ½ HP, 6 Gal. Tank
4.3 CFM Free Air
84-114 PSI Op-Pressure
Shipping Weight: 110 lbs
Voltage: 110 V-60



SIL-AIR 50-24

Same as Sil-Air 50-15
With a larger 6 gal. tank

SIL-AIR 100-50

Same as the Sil-Air 100-24
With a larger 13 gal. tank

SIL-AIR 50-10-S

½ HP, 2.5 Gal Tank
2.15 CFM Free Air
84-114 PSI Op-Pressure
Shipping Weight: 55lbs
Voltage: 110 V 60



SIL-AIR 150-50

3 x ½ HP, 13 Gal. Tank
6.45 CFM Free Air
84-114 PSI Op-Pressure
Shipping Weight: 175



SIL-AIR 50-9D

½ HP, 2.25 Gal Tank
2.15 CFM Free Air
84-114 PSI Op-Pressure
Shipping Weight: 70 lbs
Voltage: 110 V-60

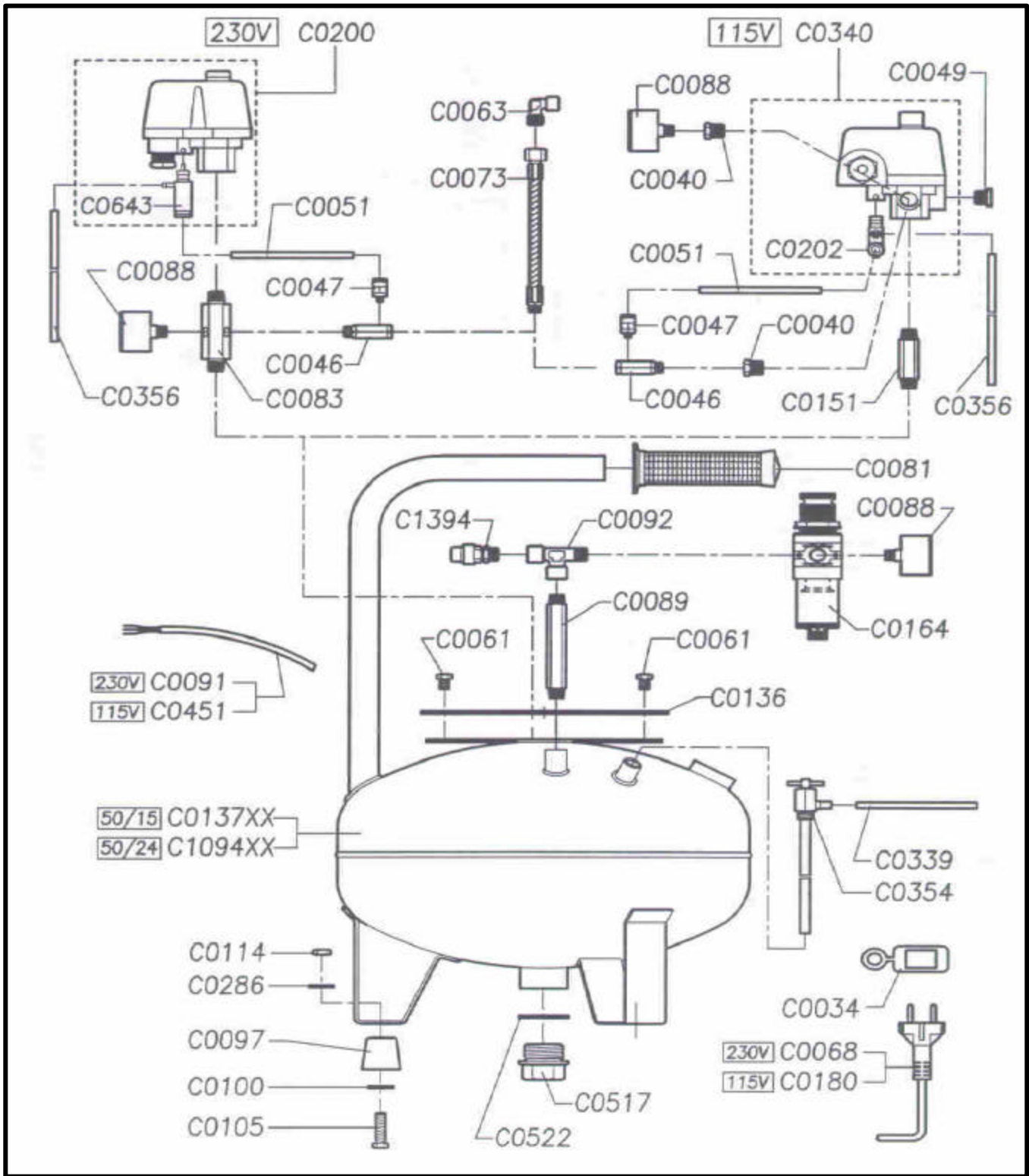


PARTS LIST OF THE "SIL-AIR" SERIES

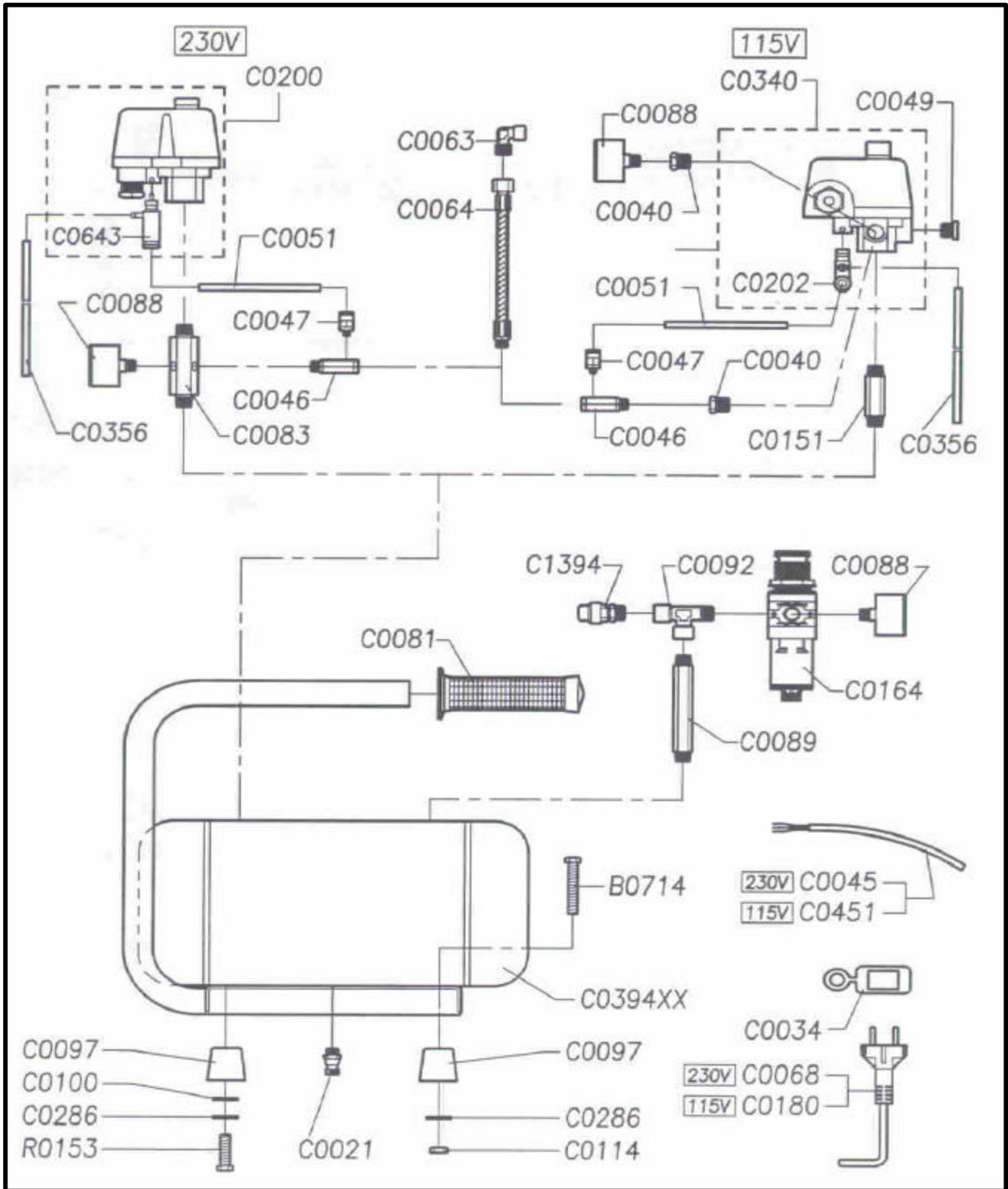
PART #	PART DESCRIPTION	PART #	PART DESCRIPTION
B0714	Bolt M8x50mm UNI 5739 ZB	C0077	Fitting Swivel-Connector M-M1/4"
C0004	Clip for Terminal Bloc	C0081	Handle Rubber
C0010	Fitting L M3/8"-F3/8"	C0083	Fitting M1/4"-M1/4" 80mm
C0011	Filter Air-Intake	C0088	Gauge Pressure 1/8"-rear
C0021	Drain Cock M1/8"	C0089	Fitting M1/4"-M1/4" 95mm
C0024	Plug for Oilfill	C0091	Cable Electric 230V 500mm
C0026	Gauge Pressure M1/8"-side 10 bar d=40mm	C0092	Fitting T M-F-F1/4"
C0028	Fitting Nipple 1/4"	C0093	Cover for Terminal Bloc
C0034	Strain Relief	C0094	Foot Rubber
C0037	Bolt M6x20mm UNI 5931	C0097	Foot Rubber
C0038	Fitting M1/4"-M1/4"	C0099	Bolt TE M6x20mm UNI 5739
C0039	Washer 5,3x10mm UNI 6592	C0100	Washer 8,4x16x1,5mm UNI 6592 ZB
C0040	Fitting Reduction M1/4"-F1/8"	C0101	Closing Band T2134 A
C0043	Bolt TE M6x10mm DIN 934	C0102	Cap Plastic Transparent
C0044	Handle Mod. 1080 135mm	C0103	Gasket Housing
C0045	Cable Electric 230V 600mm	C0105	Bolt M8x30mm
C0046	Valve Check M1/8"-F1/8"	C0106	Spacer
C0047	Fitting M5 d=6mm	C0108	Terminal-Bloc
C0048	Switch Pressure 4-P 230V MDR 2/11	C0109	Bracket for Capacitor
C0048-1	Cover to Switch Pressure C0048	C0110	Capacitor 230V 53-64 MFD
C0049	Plug M1/4"	C0111	Overload Protector 230V
C0051	Hose Nylon 6/4	C0112	Relay Starting 230V
C0061	Bolt M8x15mm	C0113	Bolt
C0062	Washer M10x20mm UNI 6592	C0114	Nut M8 UNI 5589
C0063	Fitting L M1/4"-F1/8"	C0115	Gasket Exhaust-Valve
C0064	Hose Air M1/8"-F1/4" 170mm	C0116	Valve Plate cpl.
C0065	Fitting "L"-Rotating M1/4"x6,3mm	C0117	Gasket Intake-Valve
C0067	Bolt TE M8x35mm UNI 5739	C0120	Washer Flat 8x24mm UNI 6593
C0068	Power Cord 230V Euro-Plug	C0124	Valve Safety 8 bar M1/4"
C0073	Hose Air M1/8"xF1/4" 235mm	C0126	Foot Rubber
C0076	Fitting L M1/4"-F1/4"	C0135	Kit Bracket for Mounting Motor
C0136	Plate for Mounting Motor	C0311	Gasket Pressure-Pipe
C0137XX	Tank 15lt vertical	C0312	Bolt for Top-Bearing
C0138	Drain Cock M1/4"	C0313	Bearing Top
C0143	Wheel Rubber d=150mm	C0314	Spring for Suspension
C0144XX	Tank 50-9D	C0315	Cover
C0146	Plug 1" F1/4"	C0316	Gasket to Cover
C0150	Fitting L M1/8"-F1/8"	C0317	Overload Protector 115V
C0151	Fitting M1/4"-M1/4" 60mm	C0320	Bolt to Stator
C0153	Valve Check M3/8"-M3/8"	C0321	Stator 230V
C0154	Washer Alum. d=6,2x10mm	C0322	Kit Motor Parts excl. Stator
C0156	Fitting Manifold 4xF1/4"-1xF1/8"	C0323	Valve Intake
C0164	Filter Regulator WI	C0324	Valve Exhaust
C0164-1	Pressure Bowl WI	C0325	Relay Starting 115V
C0164-2	Filter Element WI	C0331	Kit Motor-Parts cpl. 115V w/o Housing
C0164-4	Filter Regulator SMC	C0332	Stator 115V
C0164-5	Pressure Bowl SMC	C0334	Fitting L M1/8"-F1/8"
C0164-6	Filter Element SMC	C0335	Hose Air F1/8"-F1/8" 140mm
C0164-7	Washer for Filter SMC	C0337	Hose Air M1/8"-F1/4" 500mm
C0170	Seeger d=15mm	C0338	Capacitor 115V T 2134 145-174 MFD
C0171	Kit for Grounding	C0339	Tube Nylon 8/6mm

C0180	Power Cord 115V Am.-Plug 2000mm	C0340	Switch Pressure 4-P 115V/230V
C0200	Switch Pressure 1-P 230V		MDR 21-EA/11 UL-approved
C0202	Valve Head-Pressure Release	C0340-1	Cover Switch Pressure C0340
C0205	Fitting Reduction M1/4"-F1/8"	C0349	Spring for Overload
C0209	Cable Electric 700mm	C0354	Drain-Cock tanktop
C0210	Cable Electric 500mm	C0356	Hose Plastic blue, elastic
C0219	Kit Terminal Box T 2134 A, 115V	C0357	Fitting "L" F1/8"-F1/8"
C0220	Kit Terminal Box T 2134 A, 230V	C0358	Oil-Level Indicator 1/2" Metal Frame
C0223	Pump Compressor 230V T 2134	C0364	Bolt and Nut for Closing Band
C0241XX	Tank 50 lt. horizontal	C0383XX	Tank 24lt. horizontal
C0284XX	Pump Compressor T 2134 A 115V	C0390	Pin for Wheel
C0286	Washer 8,5x15mm UNI 3703	C0394XX	Tank 50-6
C0293	Hose Air F1/8"-F1/8" 300mm	C0437XX	Tank 24lt 100/24 10CE D200
C0306	Kit for Spring-Clamp	C0451	Cable Electric 115V 600mm
C0308	Kit Motor-Parts cpl. 230V w/o Housing	C0453	Fitting Reduction M1/4"-F1/8"
C0309	Bolt for Cover	C0454XX	Plate for Mounting Compressor Pumps
C0310	Pressure-Pipe	C0454XX	Pump Compressor 115V T2134
C0461XX	Housing	C0661	Nut M5 UNI 5567
C0505	Gauge Pressure ¼" 10 Bar	C0784	Fitting Reduction M1/2"-F3/8"
C0509	Fitting L M1/4"-F1/4"	C0884	Fitting Reduction F3/8"-M1/4"
C0516	Fitting Reduction M3/8"-F1/4"	C0889	Fitting 5-ways Distributor 2xF1/4" and 3x F1/8"
C0517	Plug Drain M 1"		
C0522	Washer 1"	C0895	Wheel Rubber d=80x25mm
C0526	Fitting M1/4"-M1/4"	C0921	Hose Air M1/8"-F1/4" 650mm
C0528	Fitting Reduction M3/4"-F3/8"	C1094XX	Tank 24lt vertical
C0530	Plug M1/2"	C1099	Oil-Level Indicator Plastic 1/2"
C0538	Plug M1/8"	C1235	Kit Valve Plate T 2134 A cpl. with Gaskets
C0567	Fitting M1/8"-M1/8"	B0714	Bolt M8x50mm UNI 5739 ZB
C0583	Foot Rubber d=25mm	R0103	Retaining Ring A-10 outside
C0643	Valve Head Pressure Release	R0153	Bolt M8x25mm UNI 5739
C0659	Bolt TC M5x14mm		

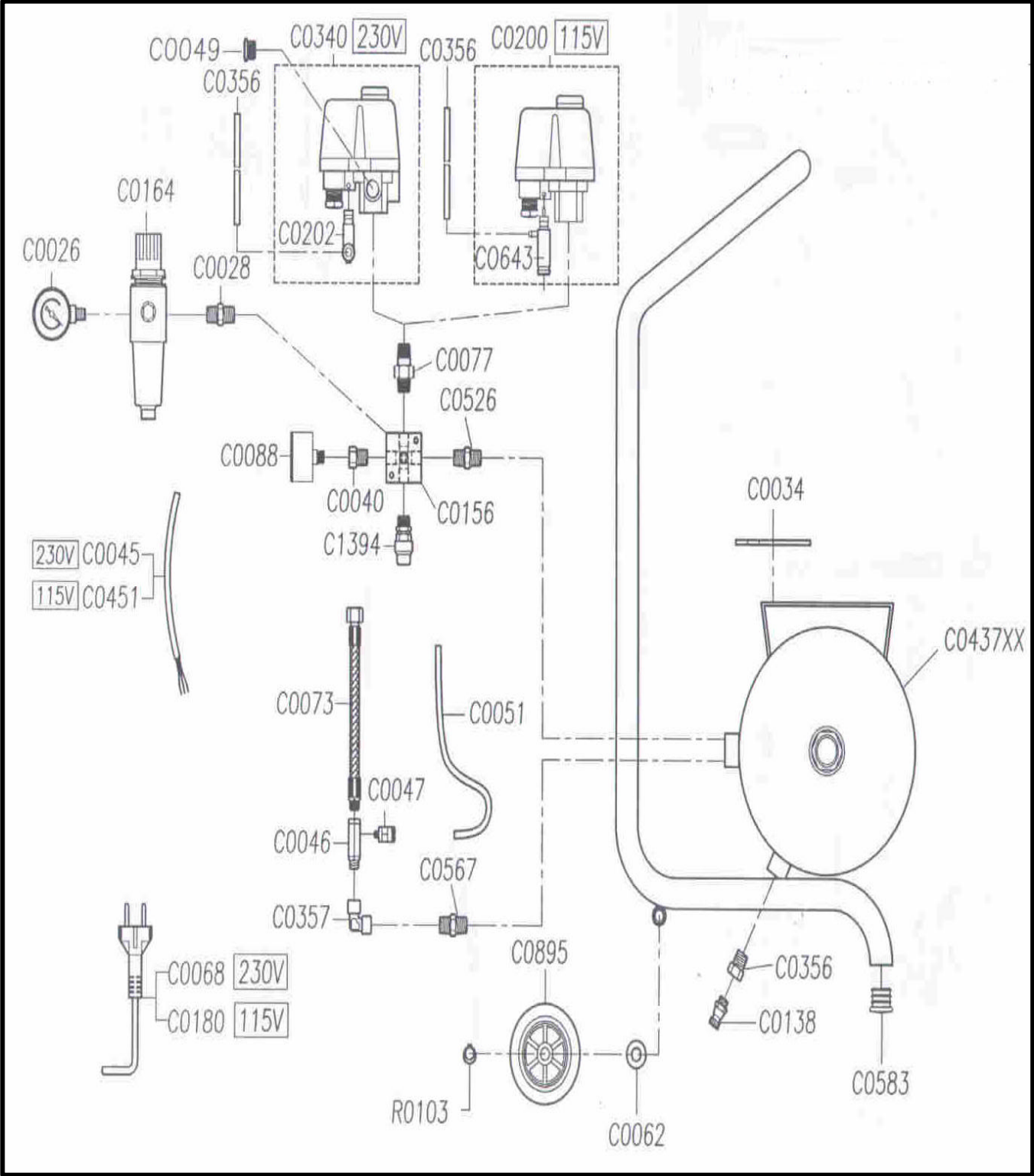
EXPLODED VIEW SIL-AIR 50/15 & 50/24



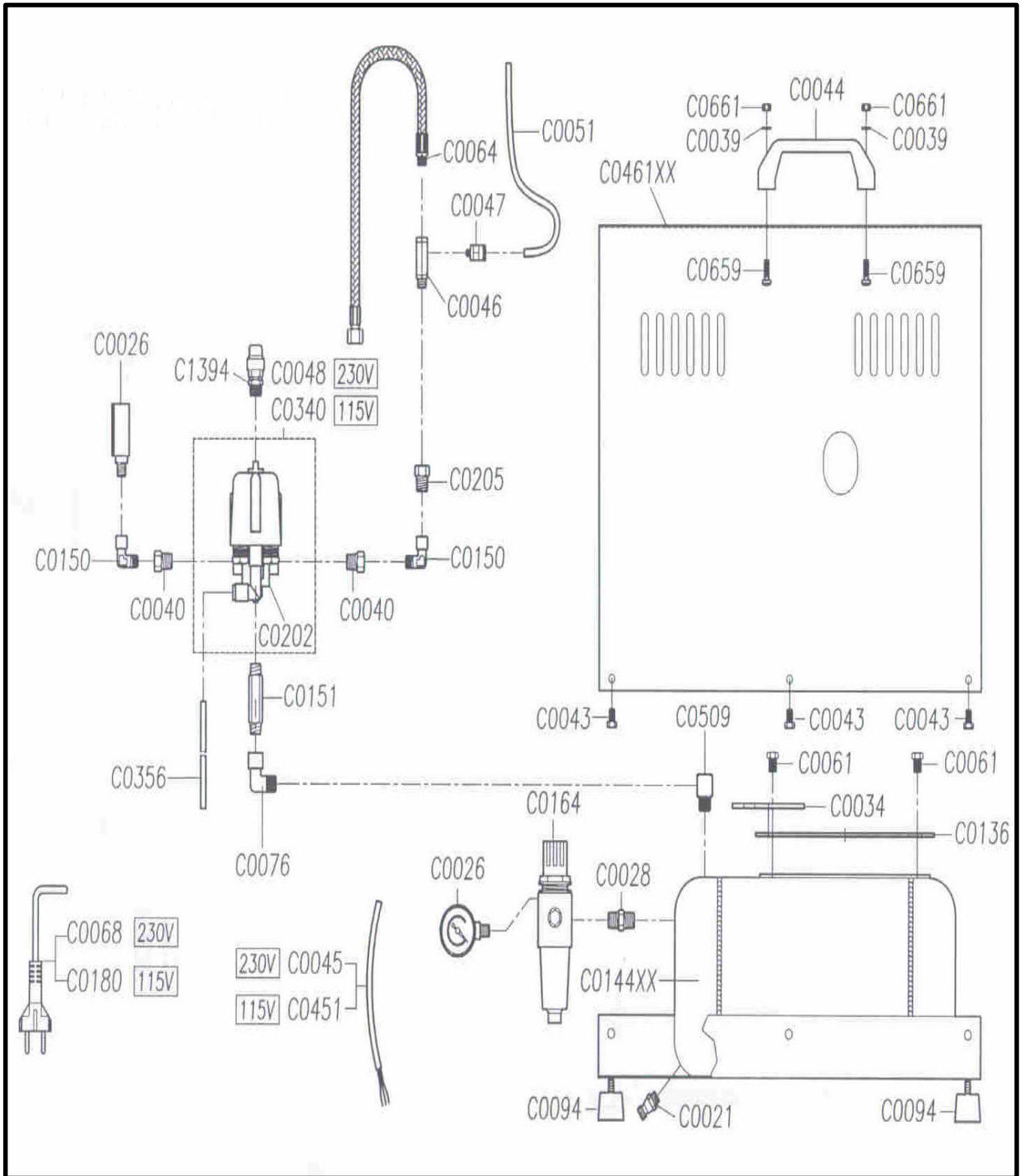
EXPLODED VIEW SIL-AIR 50/6



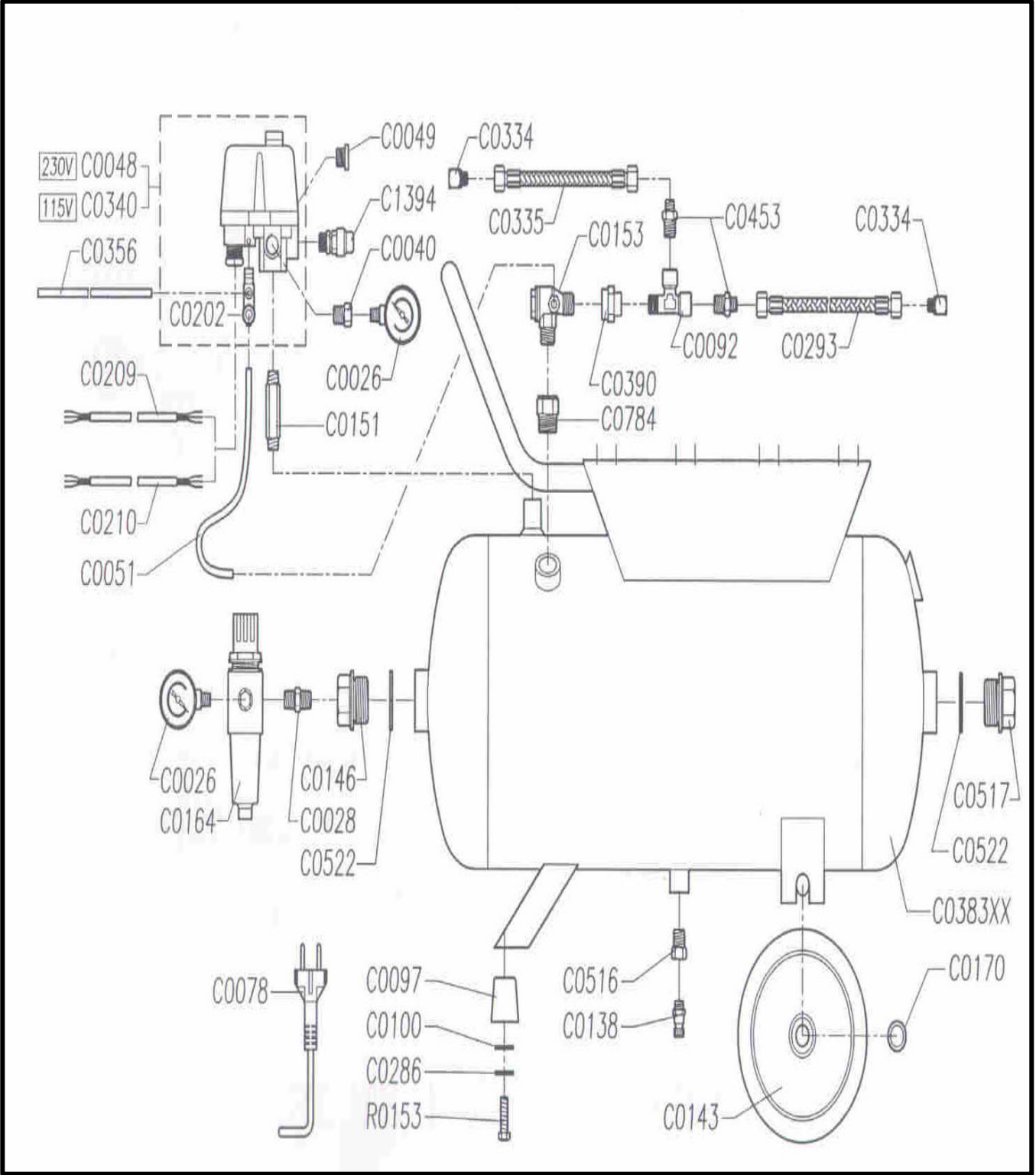
EXPLODED VIEW 50/10-S



EXPLODED VIEW SIL-AIR 50/9 D

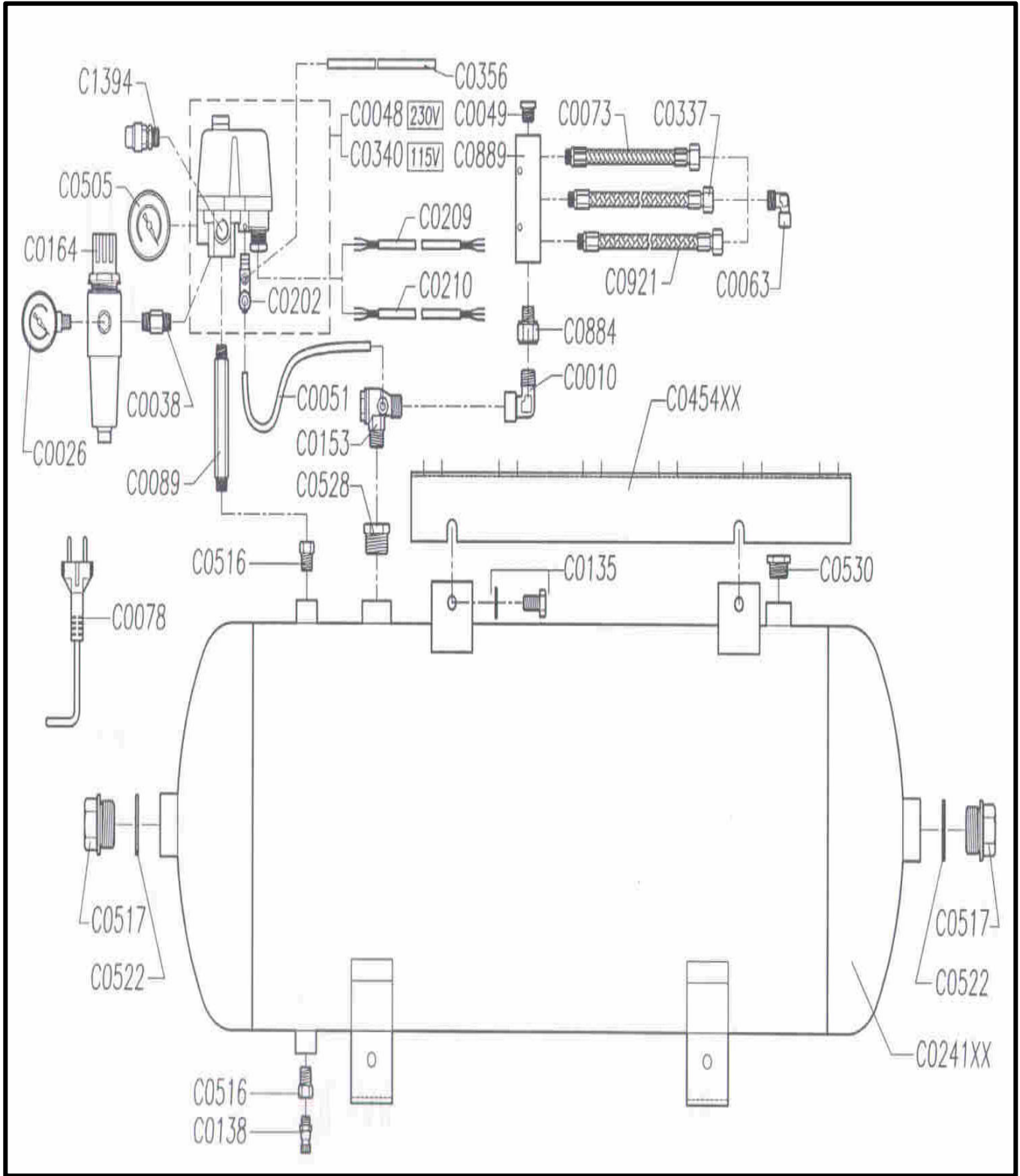


EXPLODED VIEW
100/24 & 100/50



EXPLODED VIEW

150-50



EXPLODED VIEW SIL-AIR COMPRESSOR PUMP (ALL MODELS)

